



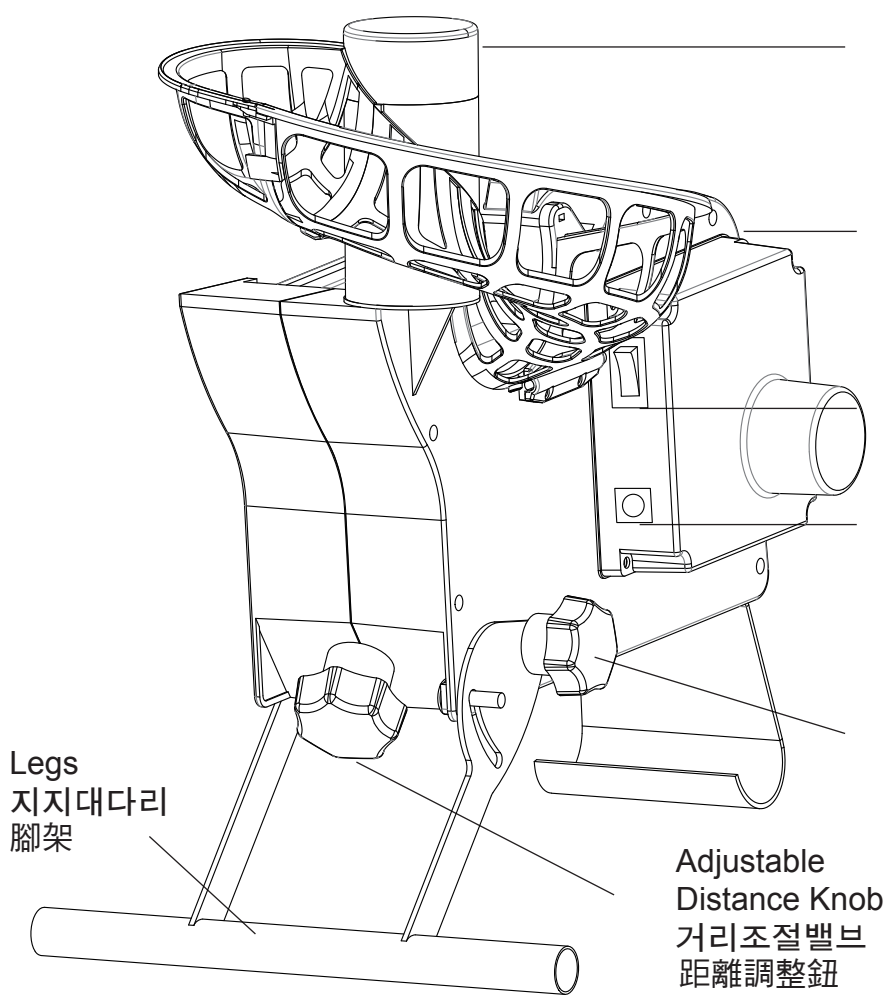
# XT-2000

## 棒球拋球機 토싱머신



### XT-2000 PARTS

### 零件圖 / 부속품



Spiral Ball Funnel Top  
볼레인상부  
餵球管上段

Spiral Ball Funnel Bottom  
볼레인 하단부  
餵球管尾段

On/Off Switch AC  
본체 전원ON/OFF  
電源開關

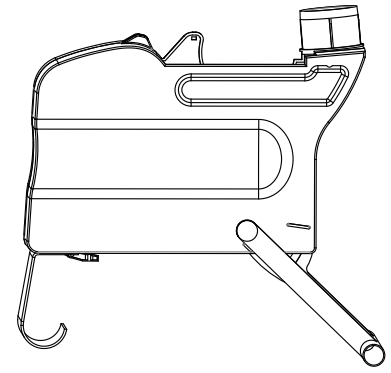
AC Adapter Plug-in  
전원  
電源接頭

Trajectory Lever Ball  
궤적조절밸브  
高度調整鈕

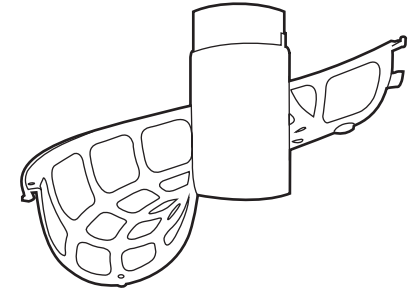
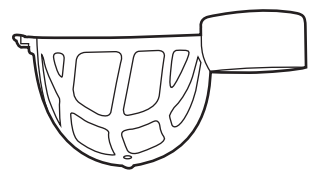
Adjustable Distance Knob  
거리조절밸브  
距離調整鈕

Legs  
지지대다리  
腳架

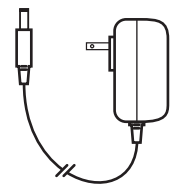
XT-2000 Base With Motor  
본체 및 바닥지지대  
機器主體與底座支架



Spiral Ball Funnel Top  
볼레인상부  
餵球管上段



Spiral Ball Funnel Mid-Section  
볼레인 중간부  
餵球管中段

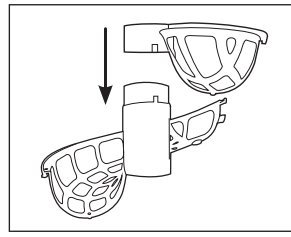


AC Adapter  
전원  
電源線

# XT-2000 ASSEMBLY 安裝方式/조립방법 :

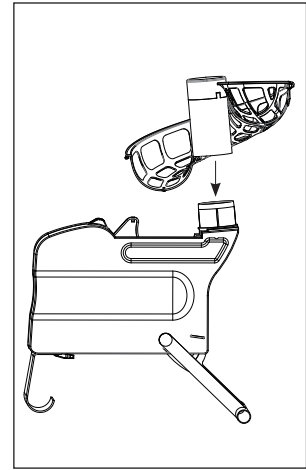
## STEP 1

ASSEMBLE SPIRAL BALL FUNNEL  
Attach Spiral Ball Funnel Top to Mid-Section by aligning notches. Lock into place by connecting push-thru tab on end of Spiral Ball Funnel.  
Attach Spiral Ball Funnel Bottom in the same manner.  
볼레인 상,중,하부를 연결한다  
連結餵球管上、中、下段



## STEP 2

ASSEMBLE SPIRAL BALL FUNNEL  
Attach Spiral Ball Funnel Top to Mid-Section by aligning notches.  
Lock into place by connecting push-thru tab on end of Spiral Ball Funnel.  
Attach Spiral Ball Funnel Bottom in the same manner.  
조합완료된 볼레인을 본체에 끼운다  
將組合好的餵球管連接至機器本體



# XT-2000 USAGE 操作方式/조작방법 :

## > ADD BALLS TO MACHINE

Prior to starting the machine add up to 8 balls to the Spiral Ball Funnel.

## > ADJUST BALL FLIGHT ANGLE

WARNING: Before adjusting the ball flight angle turn OFF the BRETT XT-2000.

Loosen the trajectory lever knob at the front of the machine. Adjust leg up or down to adjust the ball flight angle. Tighten trajectory lever knob. Stabilize BRETT XT-2000 by adjusting the rear stability bar. Unscrew knobs on both sides of the bar and adjust height so that the bar rests on the ground. Secure into place by tightening each knob. A E C B Trajectory Lever Knob .

## > ADJUST BALL THROWING DISTANCE

WARNING: Before adjusting the ball throwing distance turn OFF the BRETT XT-2000™ so no balls are pitched.

Using the adjustable distance knob, tighten to increase ball throwing distance, loosen slowly to decrease ball throwing distance.

## > POWER UP MACHINE

The BRETT XT-2000 runs on 4 D Batteries (not included) or with the provided AC Adapter. If using the AC Adapter, connect to the side of BRETT XT-2000 Base below the power switch. If using batteries flip the BRETT XT-2000 over.

Press down on the black tab and slide the battery cover off. Install batteries as shown. Turn product ON to power up and OFF to power down. Ensure all persons and pets are clear of the BRETT XT-2000 and the path of the ball before powering on.

1. 본체시동전, 사용적합한 볼을 볼레인에 배열하고(최대8개), 후단고정대와 양측지지대다리 및 밸브등을 이용하여 최적의 각도로 조절한다.
2. 거리조절밸브를 이용하여 원하는 거리를 맞춘다.
3. 본 기기는 4개의 D-Type건전지와 AC전원 모두 사용가능하다.

1. 啟動機器前，將標準棒球依序放入餵球管(最多八顆)，利用後端穩定桿，腳架及高度調整扭，調整出最佳拋球角度。
2. 利用距離調整鈕，調整需要的出球距離。
3. 拋球機可使用四顆一號電池，或AC電源線啟動，使用電源線時，將電源線與機身側邊的電源接頭結合，插上插座即可。如使用電池，將機身底部黑色電池蓋按壓滑出，裝入電池，並將電池盒蓋上即可使用。

## WARNING

- » Do not put hands or fingers inside the BRETT XT-2000™ with the power cord plugged in or batteries in the unit.
- » Make sure all persons and pets are clear of the BRETT XT-2000 and the path of the ball before powering on.
- » Make sure BRETT XT-2000 is aimed and functioning properly before allowing a batter to step towards the XT-2000 and hit balls.
- » The BRETT XT-2000 is designed to use regulation 5-ounce weight and 9-inch circumference baseballs.
- » Always operate under adult supervision. » Anyone hitting balls must wear a NOCSAE Approved batting helmet.

1. 請勿將手放入機器內。
2. 啟動前須淨空四周環境。
3. 開始揮擊前，讓機器運轉試拋，調整適當機器位置與角度。
4. 機器僅限使用9" / 5oz標準棒球。
5. 孩童使用時須有成人到場陪同。
6. 打擊者使用時需穿戴打擊頭盔。

1. 기계내부에 손을 넣지 마시오.
2. 시동전 주변상황을 살펴 안전확인후 On시킨다.
3. 타격전에 시운전을 해보면서 적당한 위치와 각도를 조절한다.
4. 9" / 5oz표준 볼을 사용한다.
5. 아이들 사용시 반드시 성인이 동반하에 사용한다.
6. 타자는 반드시 타자헬멧을 착용한다

## CAUTION

- » Do not power BRETT XT-2000 on without balls in the loader. This can damage the BRETT XT-2000 throw arm.
- » Only operate the BRETT XT-2000 on level surfaces.
- » Adjust the rear stability bar to ensure BRETT XT-2000 is level.
- » Do not position the BRETT XT-2000 directly in front of batter and do not hit balls towards the BRETT XT-2000. If BRETT XT-2000 is struck by a ball, permanent damage may occur.
- » Do not allow dirt or moisture to get into the BRETT XT-2000. Store indoors when not in use.

1. 球位置入前，避免開啟電源，造成拋球臂損壞。
2. 使用時請於水平面上操作機器。
3. 適度調整後端穩定桿，讓機器能平穩的運行。
4. 勿將機器置於打擊者的正前方，避免揮擊出去直擊機器。

1. 볼 사입전에는 반드시 전원을 OFF하여 사고를 방지한다.
2. 수평바닥위에 본체를 올려놓고 사용한다.
3. 하단고정대를 조절하여 본체를 정확히 고정시킨 후 사용한다
4. 본체를 타자 앞쪽에 위치하지 않도록 해야한다. 공이 기계에 타격되어 손상입을수 있다